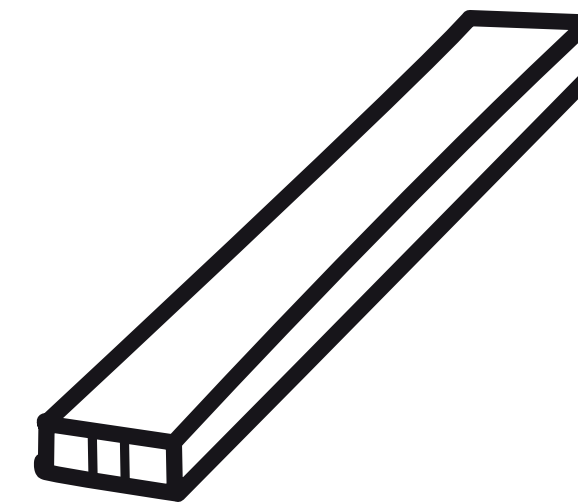


***FLEXI-HEX***<sup>®</sup> **Air**

→ **Flexi-Hex<sup>®</sup> S Air Sleeve - 20cm**



## Overview

A lightweight honeycomb sleeve made from high-quality tissue paper that helps protect small fragile items in transit. Renowned for its strength, the innovative hexagonal cell structure not only provides an incredible layer of protection; it also creates a flexible sleeve that is ideal for cosmetic bottles, electronic devices and glassware.

## Details

- Designed for the safe shipping of small lightweight fragile items
- Made from high quality tissue paper
- Plastic-free, kerbside recyclable, home compostable and biodegradable
- Quick and easy to assemble
- Lightweight and compact for cost-effective shipping and storage
- Strong, flexible and adaptable; expands and forms around products of all shapes and sizes (up to 350mm wide)
- Sleeves can easily be cut down to size
- Can be customised with company branding
- An aesthetic e-commerce solution which adds brand value and improves the customer unboxing experience
- Available in 3 other sizes: 10cm, 25cm, 35cm
- Boxes, caps and wraps sold separately

## Product Information

### NAME

Flexi-Hex® Air Sleeve - 20cm

### SKU

AIR-KRA-20

## Specification

### SLEEVE UNIT

200mm L x 25mm W x 8mm H

### WEIGHT

22g

### QTY PER BOX

600pcs\*

### EXPANDED DIMENSIONS

Max 350mm

### BOX DIMENSIONS

420 x 270 x 250mm\*

13.6kg

## Pallet info

### DIMENSIONS

1200 x 1000 x 1110mm\*

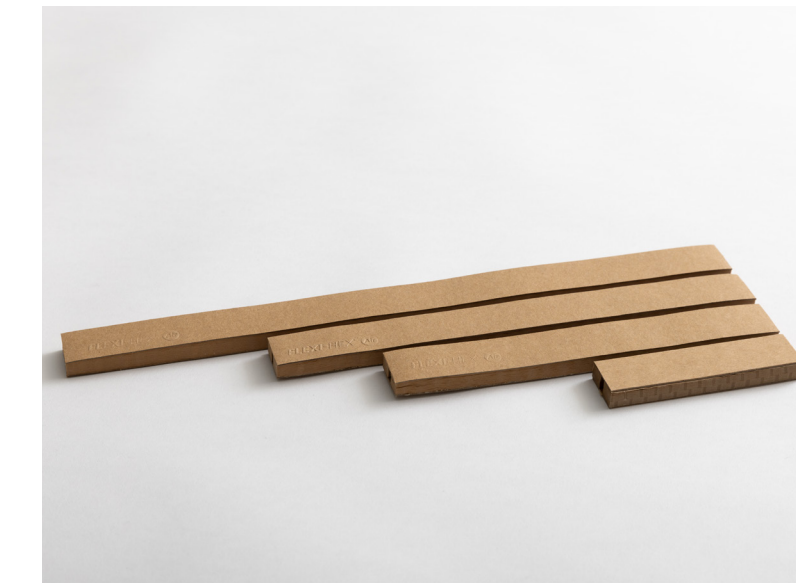
### WEIGHT

510kg\*

### QTY

21,600\*

## Material

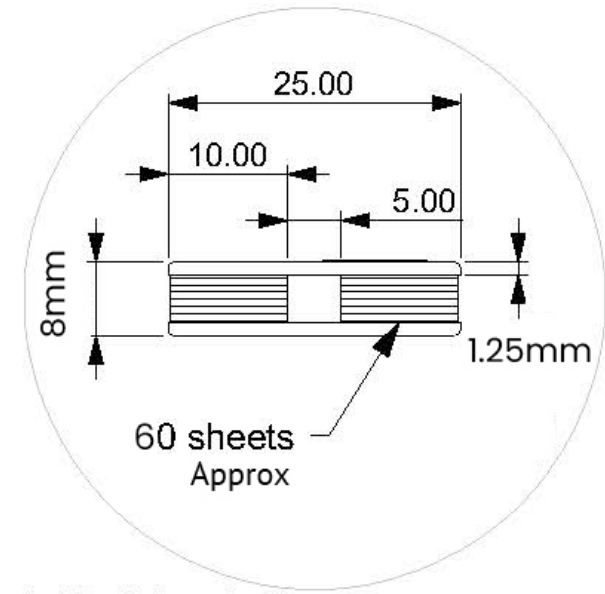


45gsm tissue paper, 100% recyclable and biodegradable.

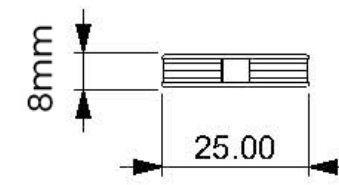
Kraft sleeve is made from over 76% recycled content.

\*qty and dims may vary, please check on ordering

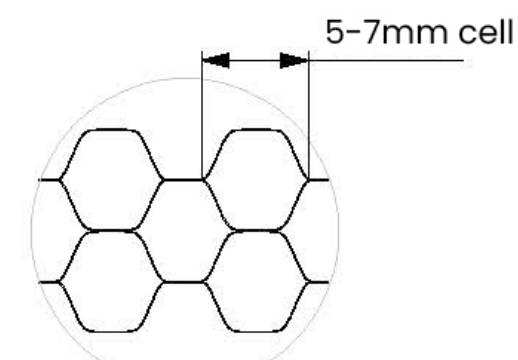
**DATA SHEET - FLEXI-HEX AIR 20CM**



1:1 End view detail



End view  
(Section)

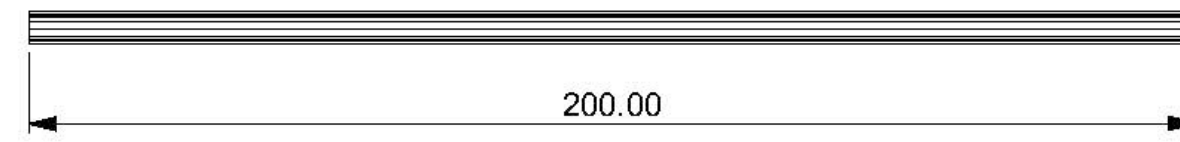


Cell detail

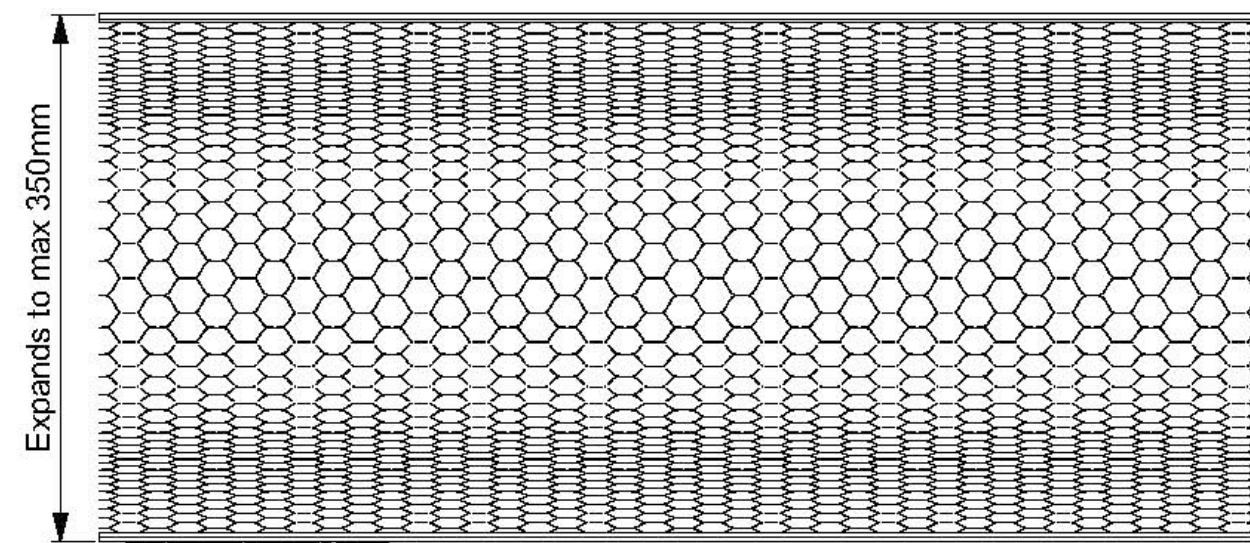


Plan view

Embossed logo

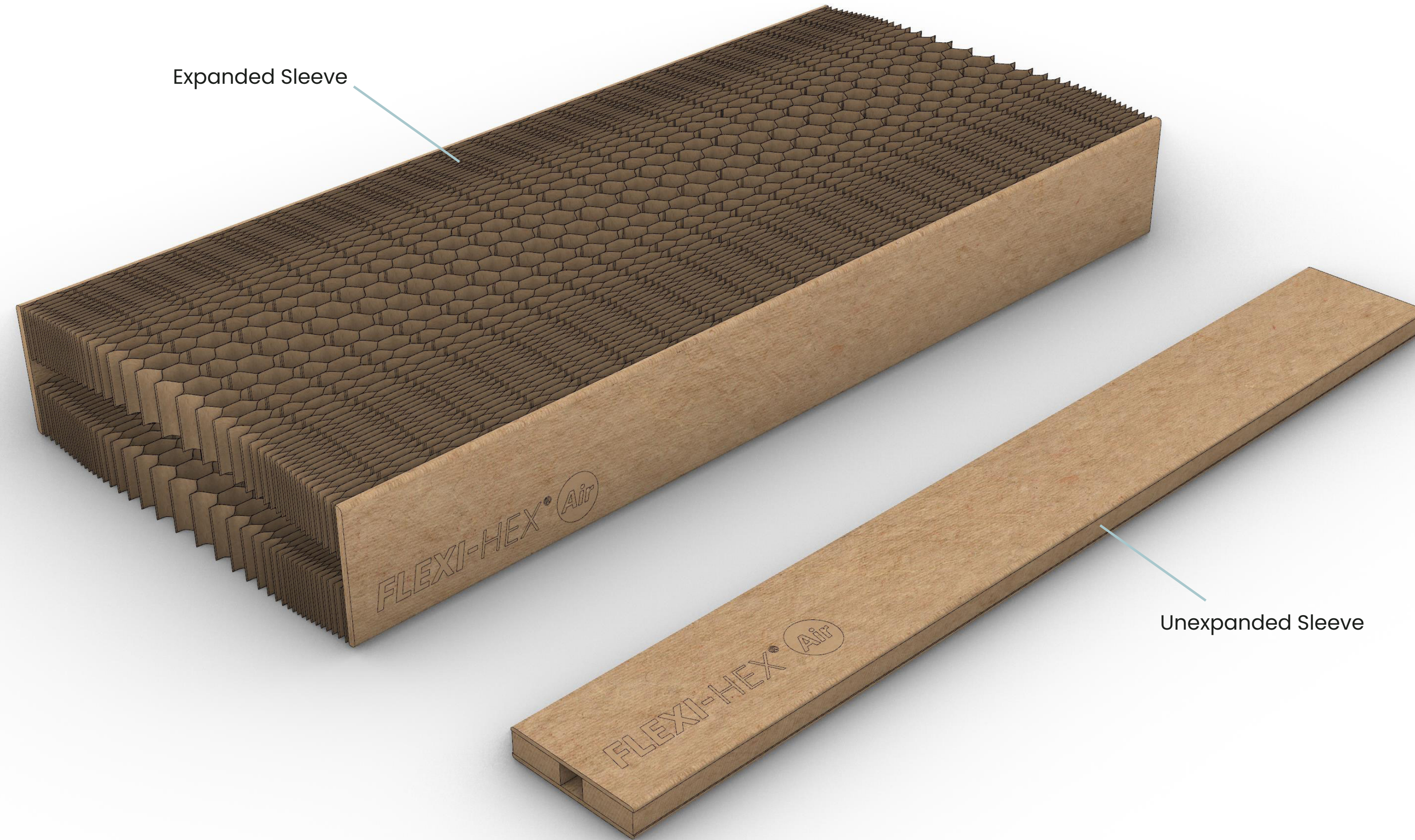


Side view



Expanded sleeve





Expanded Sleeve

Unexpanded Sleeve



DATA SHEET - FLEXI-HEX AIR 20CM

