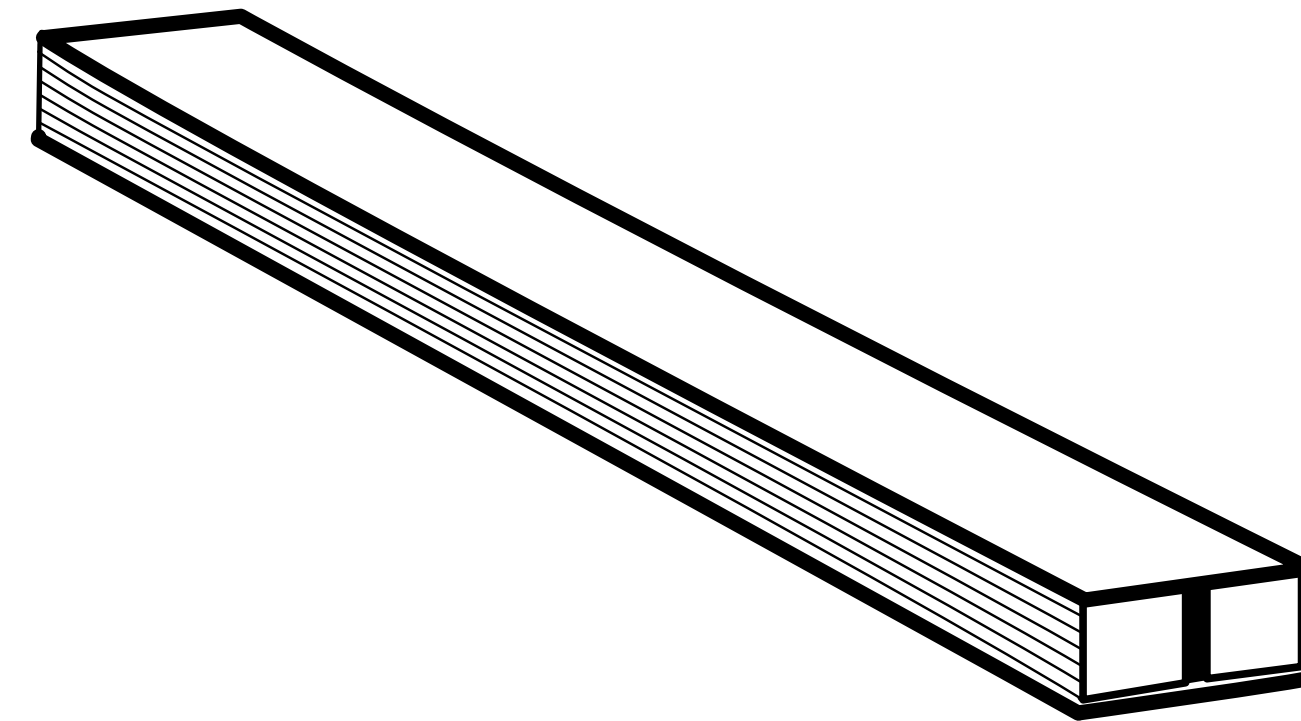


FLEXI-HEX[®]

→ **Flexi-Hex[®] Mini Sleeve**



MINI SLEEVE DATA SHEET

Overview

A patented honeycomb sleeve made from recycled paper that helps protect products in transit. Renowned for its strength, the innovative hexagonal cell structure not only provides an incredible layer of protection around fragile products; it also creates a flexible sleeve that has many applications.

Details

- Designed for the safe shipping of fragile products
- Made from over 85% recycled paper pulp
- Plastic-free, kerbside recyclable, home compostable and biodegradable
- Quick and easy to assemble
- Lightweight and compact for cost-effective shipping and storage
- Strong, flexible and adaptable; expands up to 250mm wide
- Sleeves can easily be cut down to size
- Can be customised with company branding
- Boxes sold separately
- An aesthetic e-commerce solution which adds brand value and improves the customer unboxing experience

Product Information

NAME

Flexi-Hex® Mini Sleeve

SKU

MIN-SLV

Pallet info

DIMENSIONS

1190 x 1130 x 1150mm

WEIGHT

650Kg

QTY

4,500

Performance

CRUSH TEST (SLEEVE)

Test follows procedure outlined DIN EN 23035, 09/1994
At 23°C, 50% RH collapsing of the cells was on average 229kPa.
At 40°C, 90% RH collapsing of the cells was on average 147kPa.

Material



Recycled cardboard (over 85% recycled paper content), 100% recyclable and biodegradable.

Specification

SLEEVE UNIT

330mm L x 35mm W x 15mm H

WEIGHT

135g SU

QTY PER BOX

100 pcs

EXPANDED SLEEVE

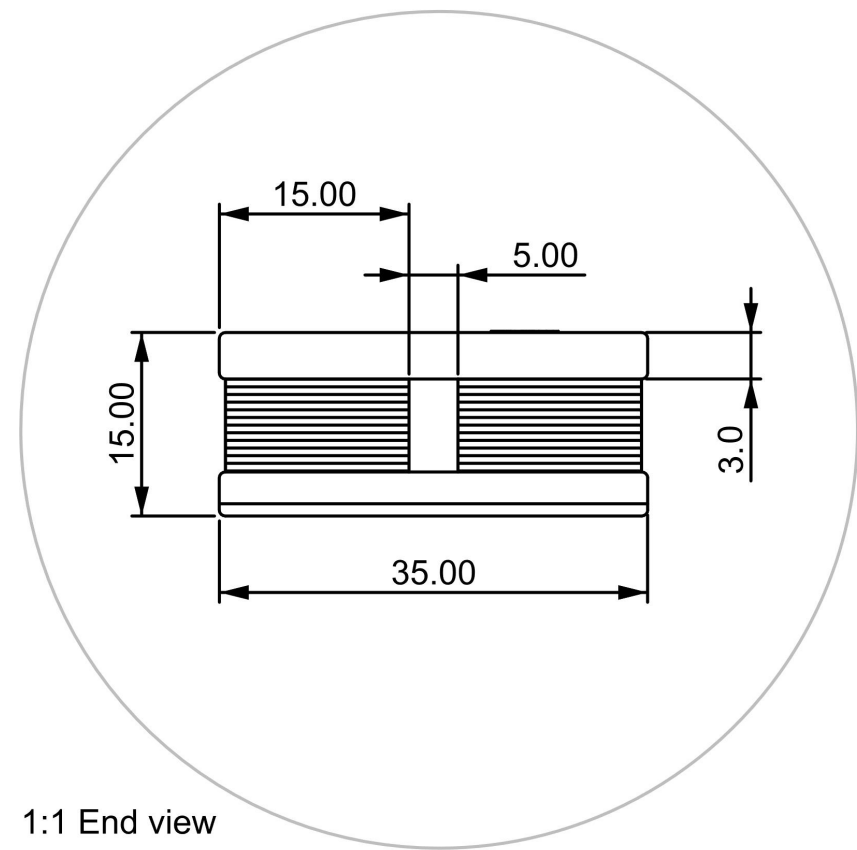
Min 20mm - Max 250mm

BOX SIZE

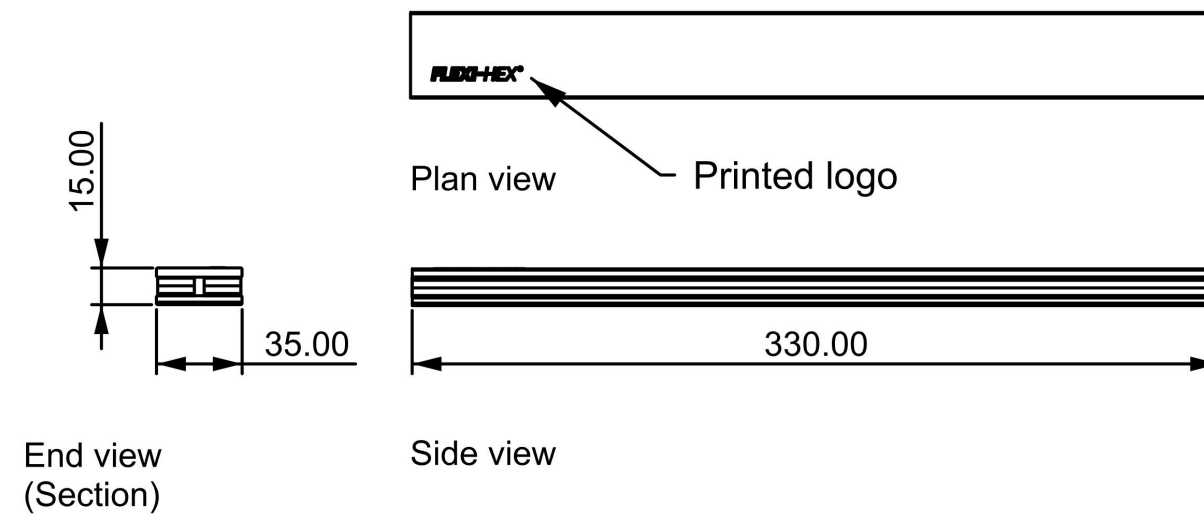
390mm x 344mm x 182mm

14kg

MINI SLEEVE DATA SHEET



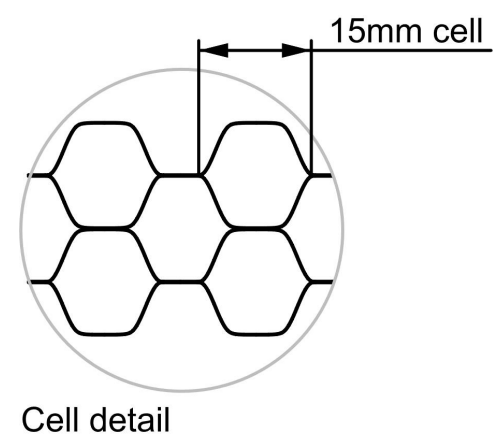
1:1 End view



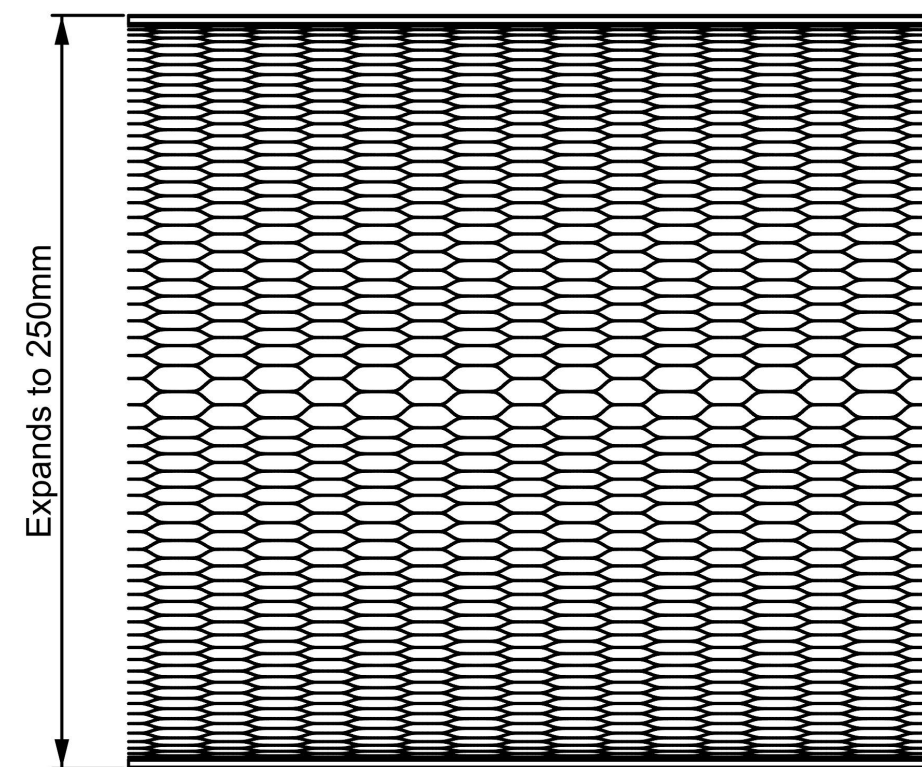
Plan view Printed logo

End view (Section)

Side view

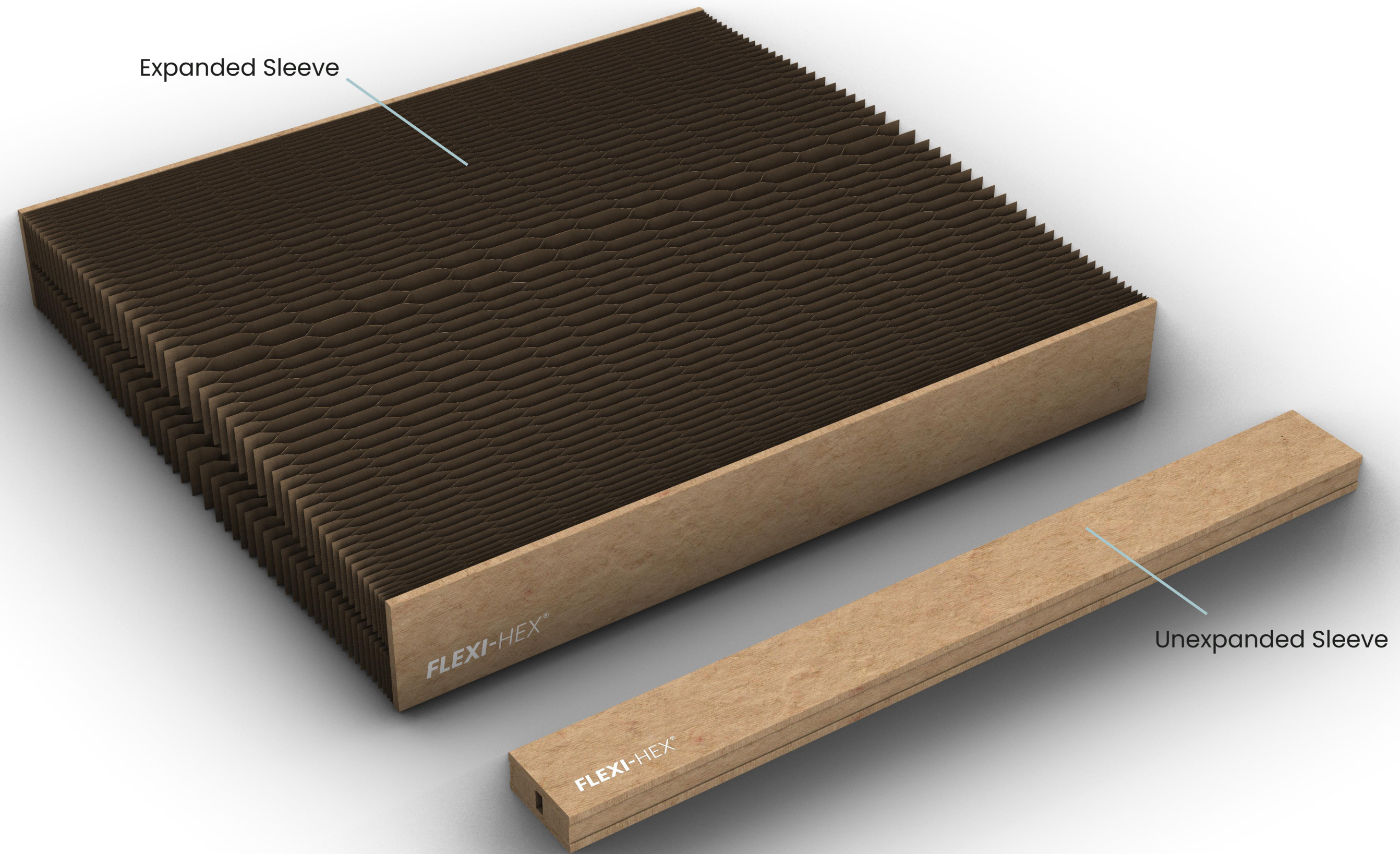


Cell detail



Expanded sleeve

MINI SLEEVE DATA SHEET



MINI SLEEVE DATA SHEET



FLEXI-HEX[®]