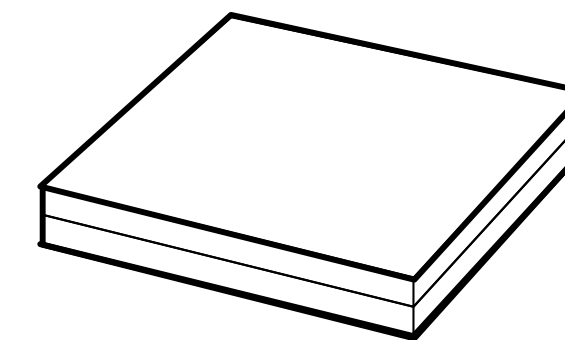
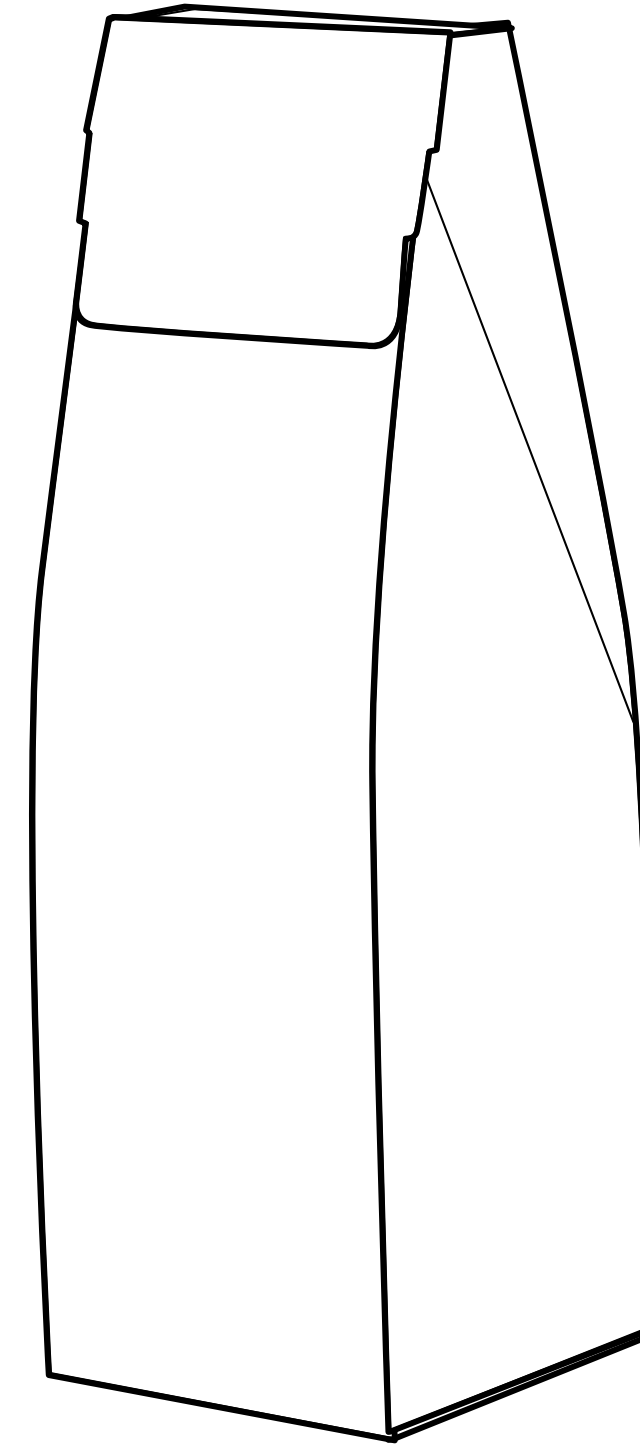


FLEXI-HEX[®]

→ **Data sheet - Single Pinch Top Box**



Overview

A self-sealing pinch top box to be used in combination with the Flexi-Hex Mini® Sleeve for safely shipping bottles or other fragile products.

Details

- Designed for the safe shipping of bottles and other fragile products
- Fits a range of products up to a maximum of 320mm in height
- Made from high-quality paper
- 100% plastic-free, kerbside recyclable, home compostable and biodegradable
- Self-sealing with crash-lock base so no tape required
- Includes a tear-off layer pad base for extra protection
- Tear strip for easy opening
- Prevents movement and reduces breakage rates through innovative engineering
- Compact to store and lightweight for cost-effective shipping and storage
- Can be customised with company branding
- An aesthetic e-commerce solution which adds brand value and improves the customer unboxing experience
- Also available in double & triple sizes

Product Information

NAME

Flexi-Hex® Single Pinch Top Box

SKU

PIN-BOX-001CL

Specification

	WEIGHT	QTY
BOX DIMENSIONS		
380mm H x 125mm W x 125mm D	136g	
SLEEVE UNIT (1X)		
330mm x 35mm W x 15mm H	135g SU	100pcs
COMPLETE UNIT		
380mm H x 125mm W x 125mm D	271g	
BOX BUNDLE		
622 x 252 x 180mm	2.7kg	20pcs

Pallet info

DIMENSIONS

1220 x 1000 x 1200mm*

WEIGHT

123Kg*

QTY

720*

Performance

CRUSH TEST (SLEEVE)

Test follows procedure outlined DIN EN 23035, 09/1994
 At 23°C, 50% RH collapsing of the cells was on average 229kPa.
 At 40°C, 90% RH collapsing of the cells was on average 147kPa.

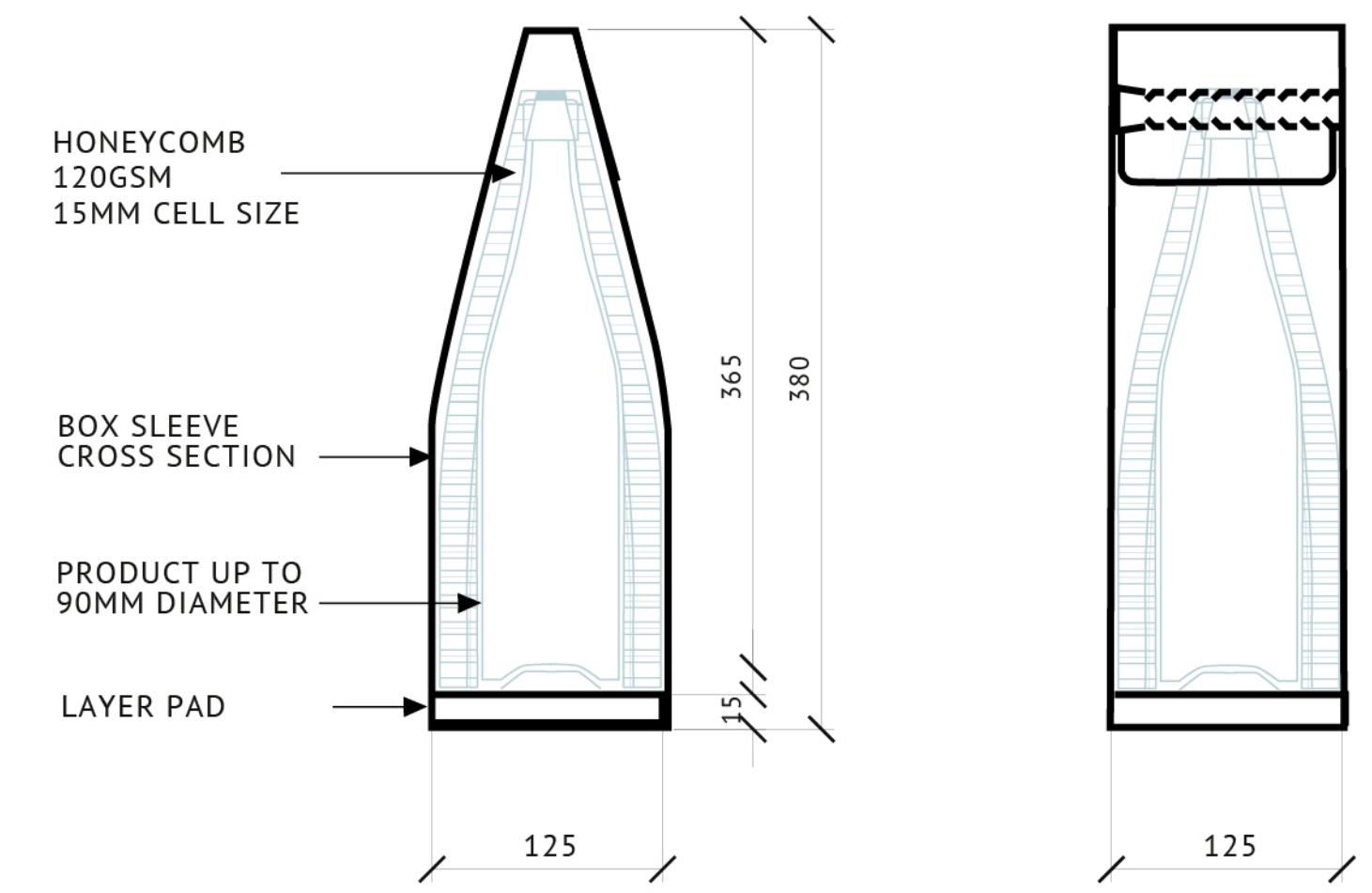
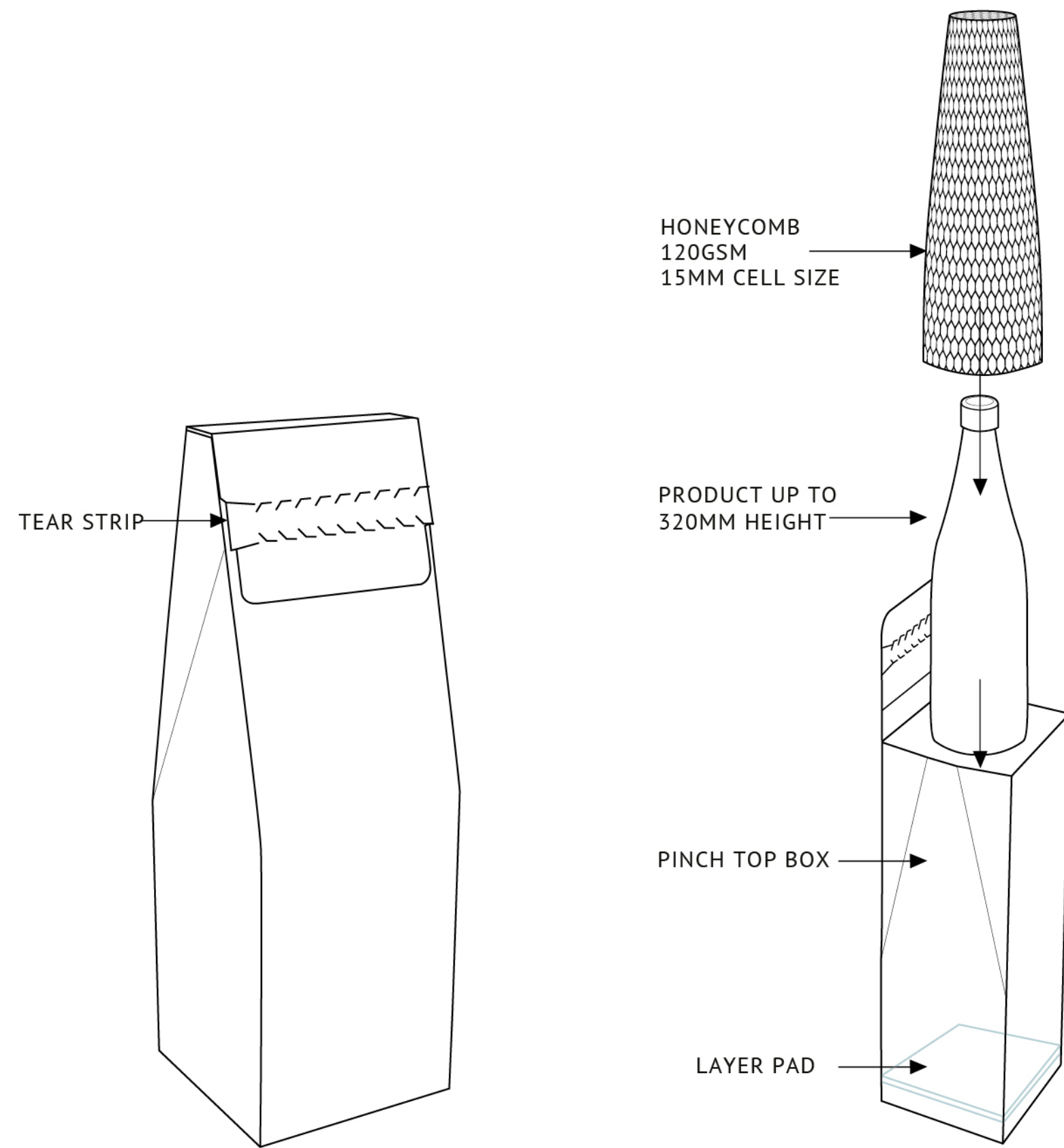
Material

Sleeve: Recycled cardboard recyclable and biodegradable
 85% recycled content
 Box: 150KK/150FF/150TT B-Flute

*pallet dimensions, weight and qty may vary depending on supplier

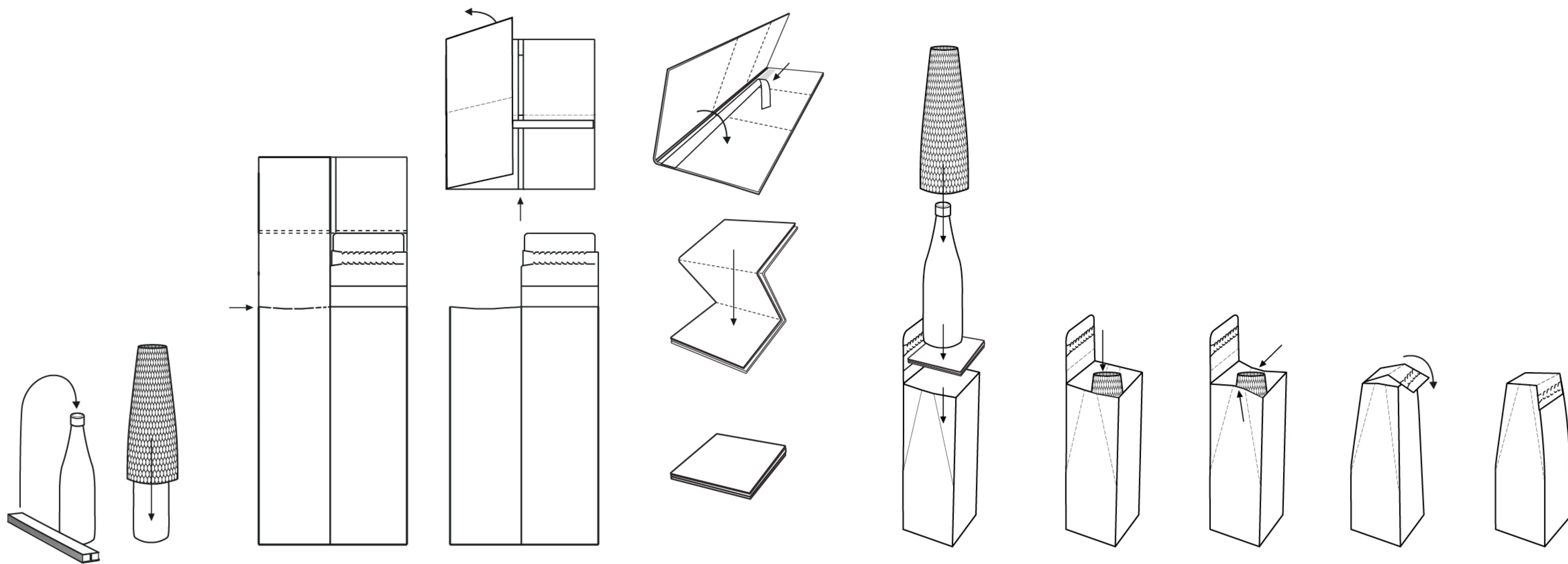


DATA SHEET - SINGLE PINCH TOP BOX



DESIGN PATENT: GB2564066
COPYRIGHT © 2019 Flexi-Hex Ltd.
ALL RIGHTS RESERVED

DATA SHEET - SINGLE PINCH TOP BOX



DATA SHEET - SINGLE PINCH TOP BOX

