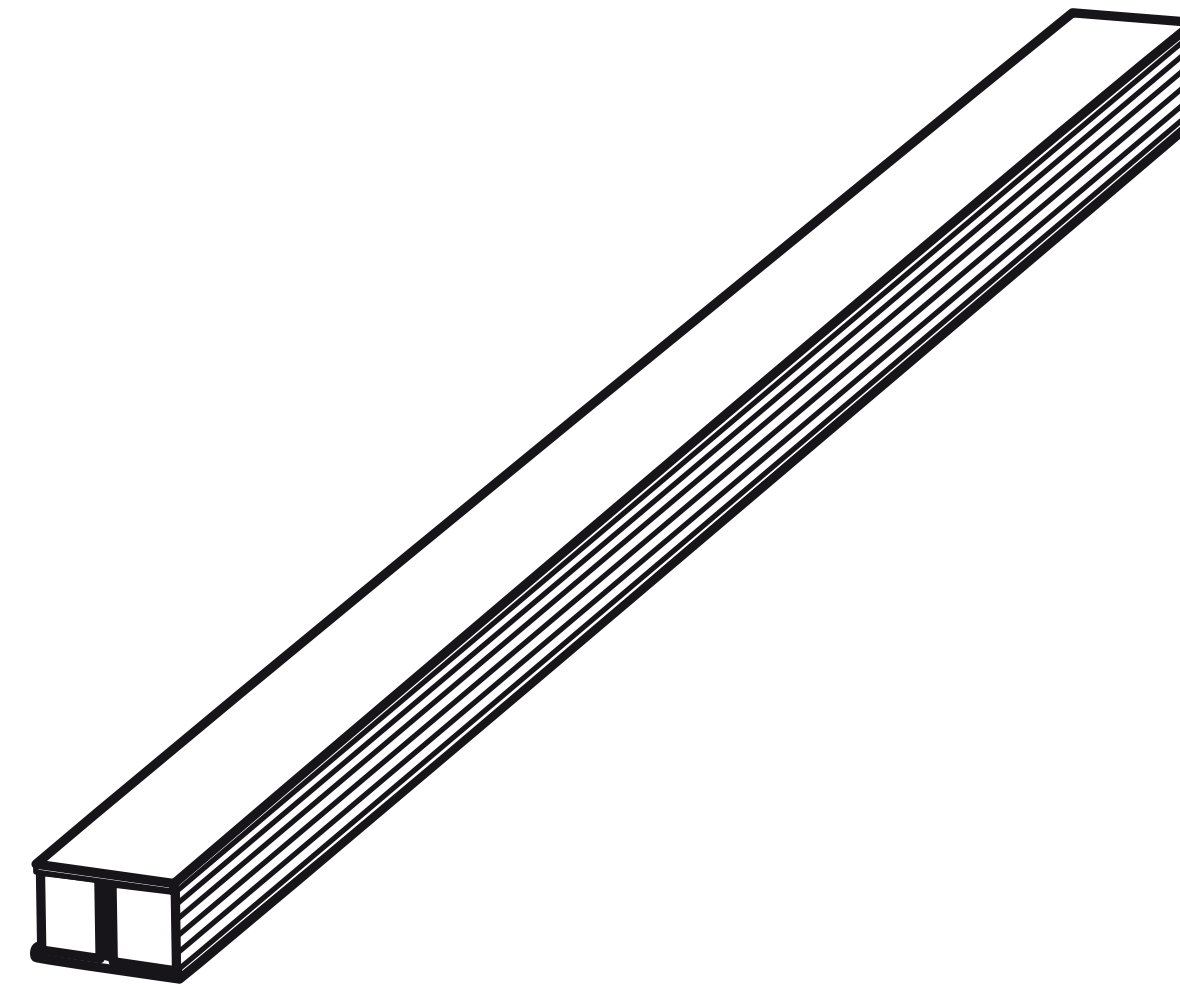


***FLEXI-HEX***<sup>®</sup>

→ **MID Sleeve data sheet**



## MID SLEEVE DATA SHEET

### Overview

A patented honeycomb sleeve made from recycled paper that helps protect products in transit. Renowned for its strength, the innovative hexagonal cell structure not only provides an incredible layer of protection around fragile products; it also creates a flexible sleeve that has many applications.

### Details

- Designed for the safe shipping of large fragile products
- Made from over 85% recycled paper pulp
- Plastic-free, kerbside recyclable, home compostable and biodegradable
- Quick and easy to assemble
- Lightweight and compact for cost-effective shipping and storage
- Strong, flexible and adaptable; expands up to 800mm wide
- Sleeves are open-ended; can be cut to size and joined at the seam using paper tape
- Can be customised with company branding
- **Boxes sold separately**
- An aesthetic e-commerce solution which adds brand value and improves the customer unboxing experience

### Product Information

#### NAME

Flexi-Hex® MID Sleeve

#### SKU

SLE-MID

### Specification

#### COMPLETE UNIT

#### WEIGHT

#### QTY PER BOX

#### SLEEVE UNIT

1100 L x 45 W x 30mm H  
(20mm cell)

880g SU

#### EXPANDED SLEEVE

Min 30mm - Max 800mm

#### BOX SIZE

1120 x 230 x 145mm

18.8kg

20 sleeves  
per box

### Pallet info

#### DIMENSIONS

1200 x 1000 x 1125mm

#### WEIGHT

530Kg

#### QTY

560

### Performance

#### CRUSH TEST (SLEEVE)

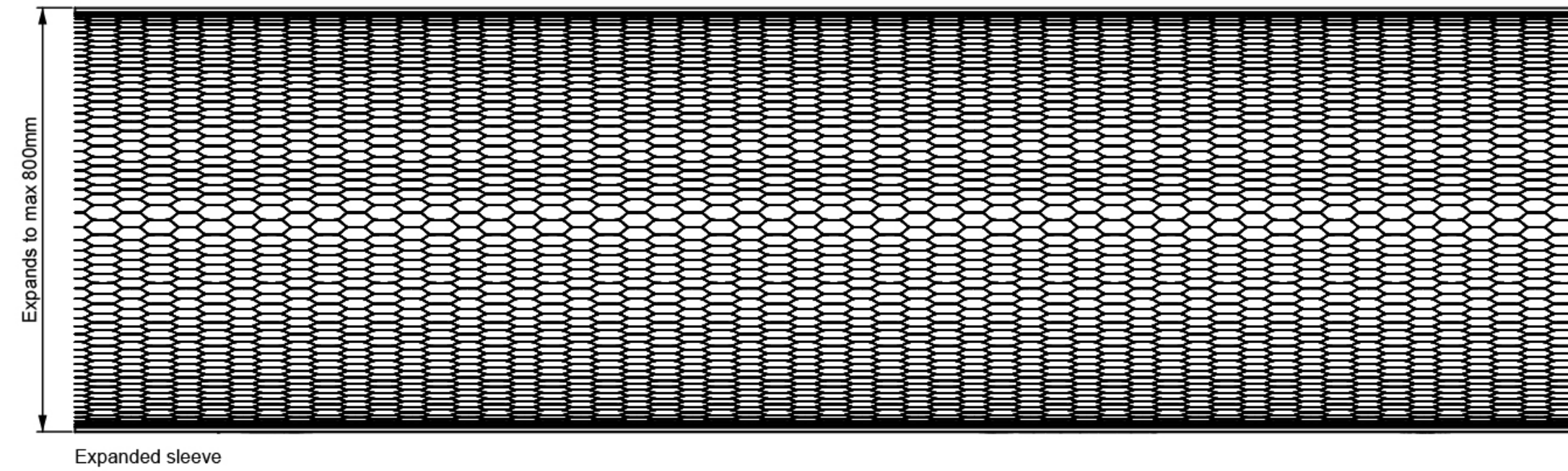
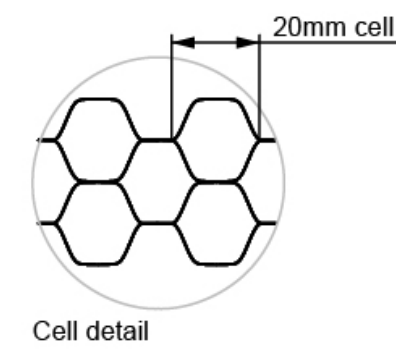
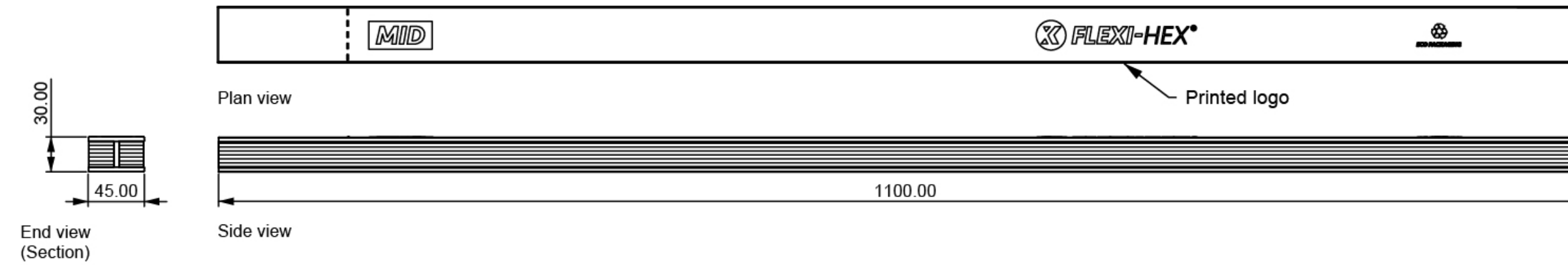
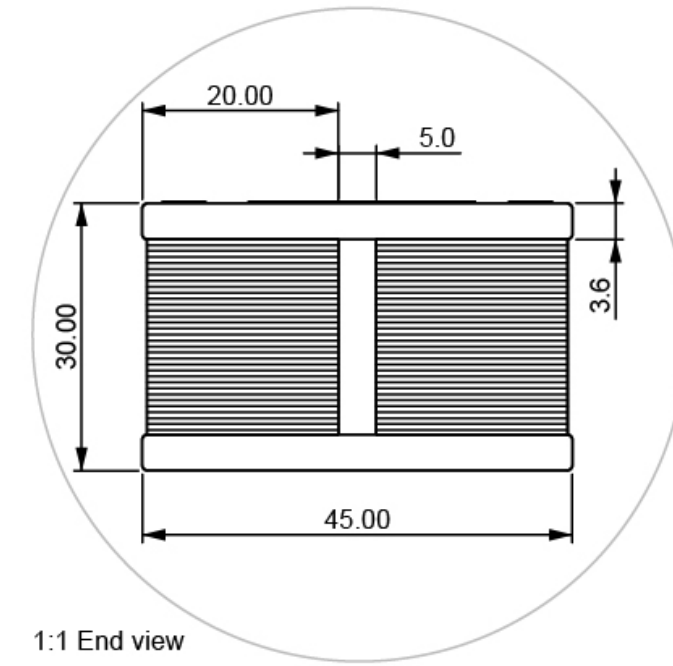
Test follows procedure outlined DIN EN 23035, 09/1994  
At 23°C, 50% RH collapsing of the cells was on average 229kPa.  
At 40°C, 90% RH collapsing of the cells was on average 147kPa.

### Material

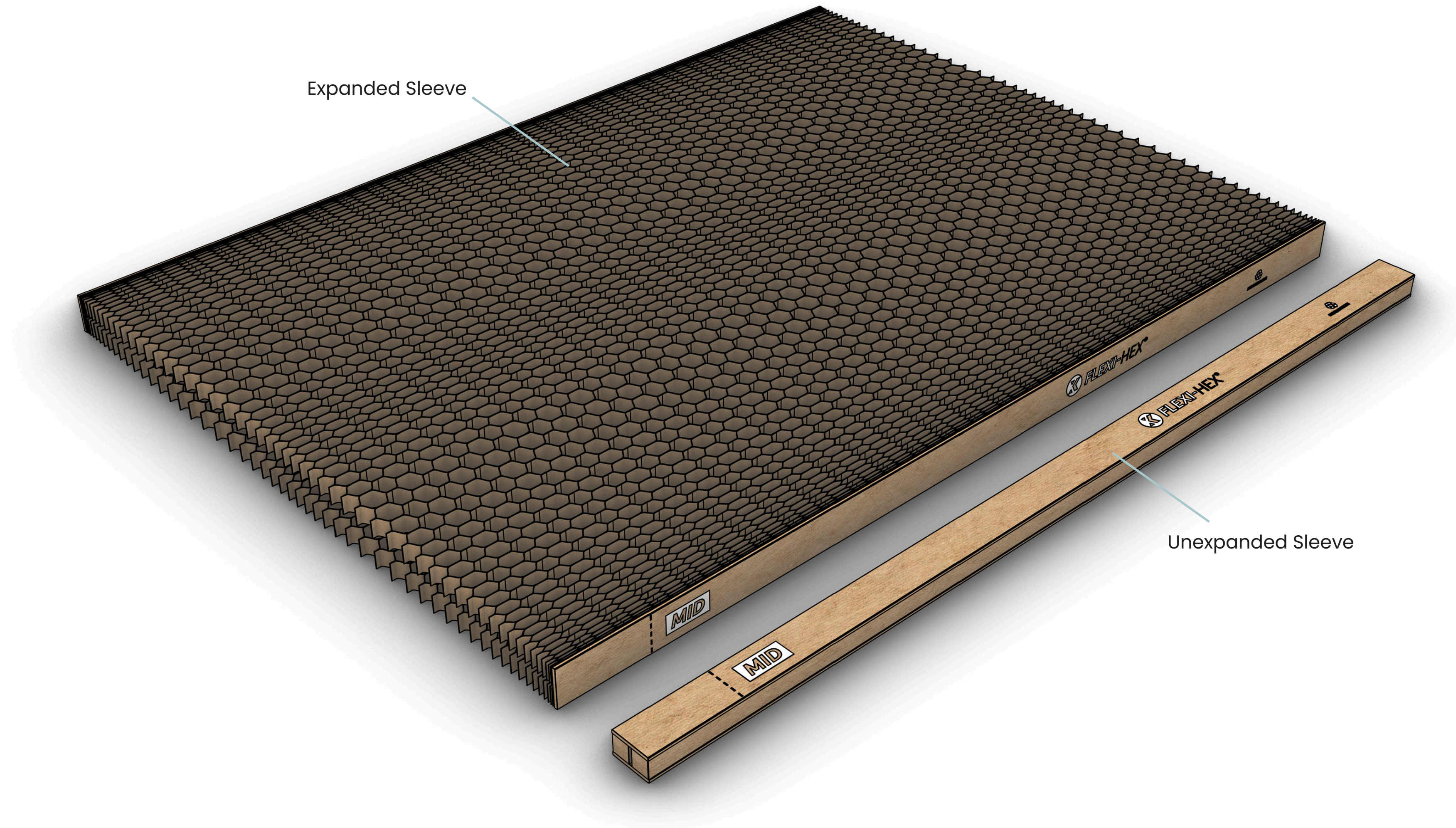


Sleeve: Recycled cardboard, recyclable and biodegradable 85% recycled content

# MID SLEEVE DATA SHEET



MID SLEEVE DATA SHEET



MID SLEEVE DATA SHEET

