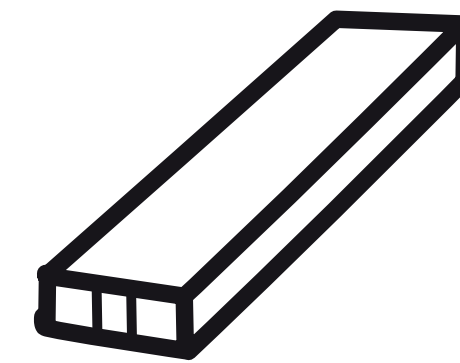


FLEXI-HEX[®] **Air**

→ **Flexi-Hex[®] Air Sleeve - 10cm**



Overview

A lightweight honeycomb sleeve made from high-quality tissue paper that helps protect small fragile items in transit. Renowned for its strength, the innovative hexagonal cell structure not only provides an incredible layer of protection; it also creates a flexible sleeve that is ideal for cosmetic bottles, electronic devices and glassware.

Details

- Designed for the safe shipping of small lightweight fragile items
- Made from high quality tissue paper
- Plastic-free, kerbside recyclable, home compostable and biodegradable
- Quick and easy to assemble
- Lightweight and compact for cost-effective shipping and storage
- Strong, flexible and adaptable; expands and forms around products of all shapes and sizes (up to 350mm wide)
- Sleeves can easily be cut down to size
- Can be customised with company branding
- An aesthetic e-commerce solution which adds brand value and improves the customer unboxing experience
- Available in 3 other sizes: 20cm, 25cm, 35cm
- Boxes, caps and wraps sold separately

Product Information

NAME

Flexi-Hex® Air Sleeve - 10cm

SKU

AIR-KRA-10

Specification

SLEEVE UNIT

100mm L x 25mm W x 8mm H

EXPANDED DIMENSIONS

Max 350mm

BOX DIMENSIONS

420 x 135 x 250mm*

WEIGHT

11g

QTY PER BOX

600pcs

6.9kg

Pallet info

DIMENSIONS

1200 x 1000 x 1110mm*

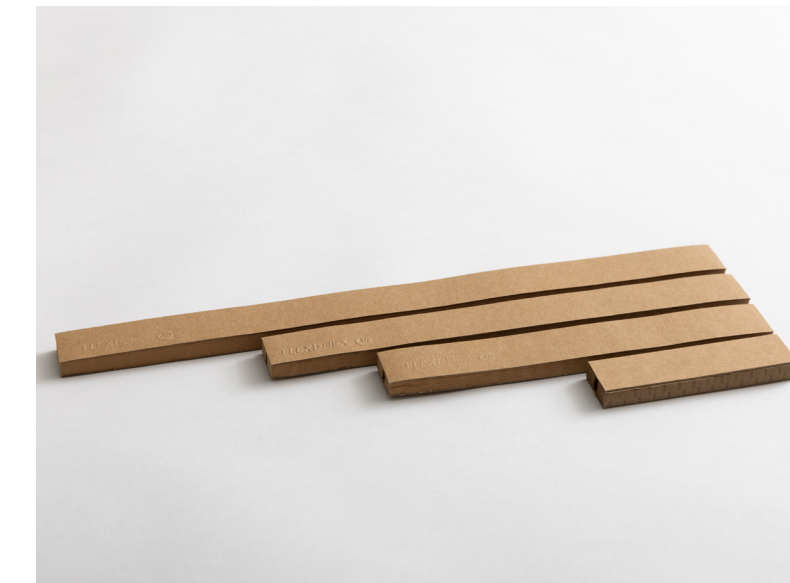
WEIGHT

517KG*

QTY

43,200*

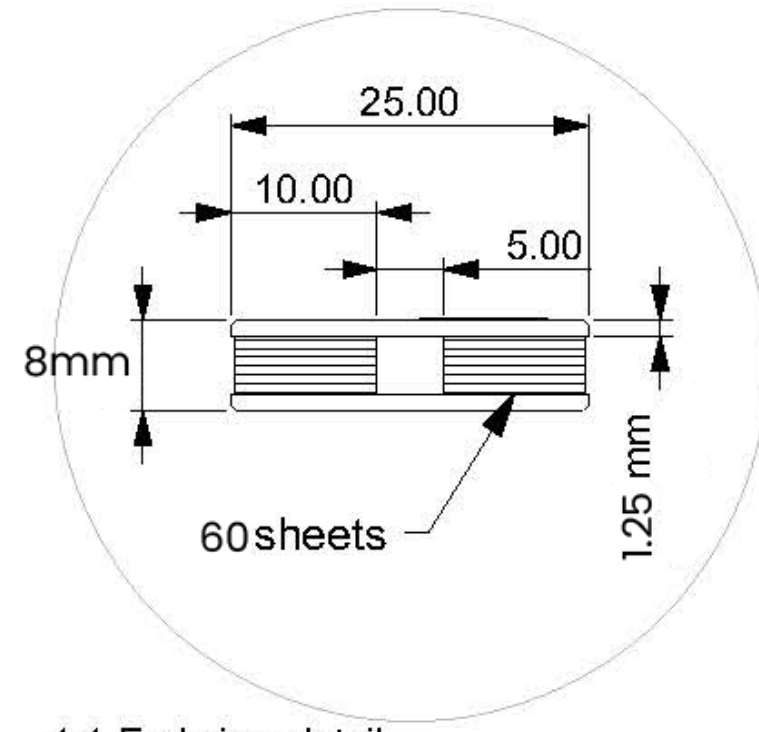
Material



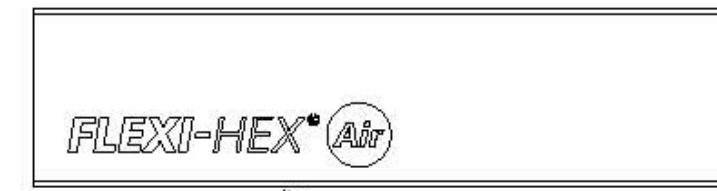
45gsm tissue paper.
76% recycled content.

*qty and dims may vary, please
check on ordering

DATA SHEET - FLEXI-HEX AIR 10CM

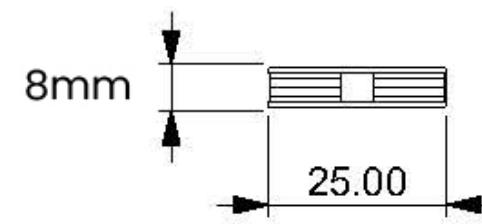


1:1 End view detail

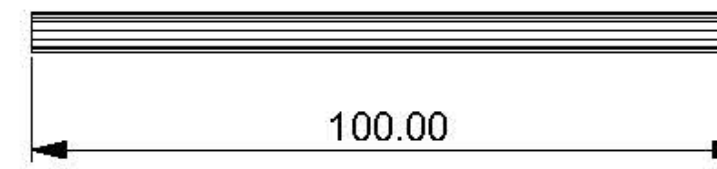


Plan view

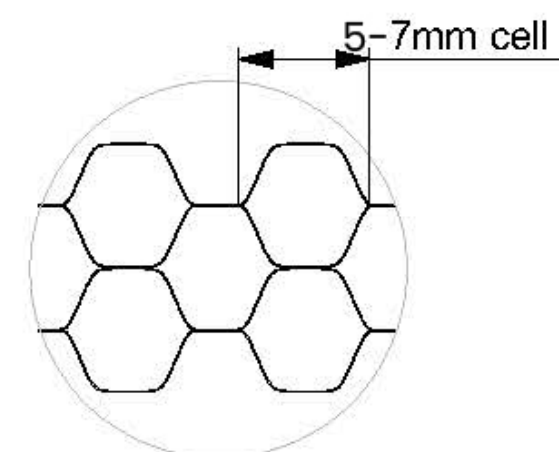
Embossed logo



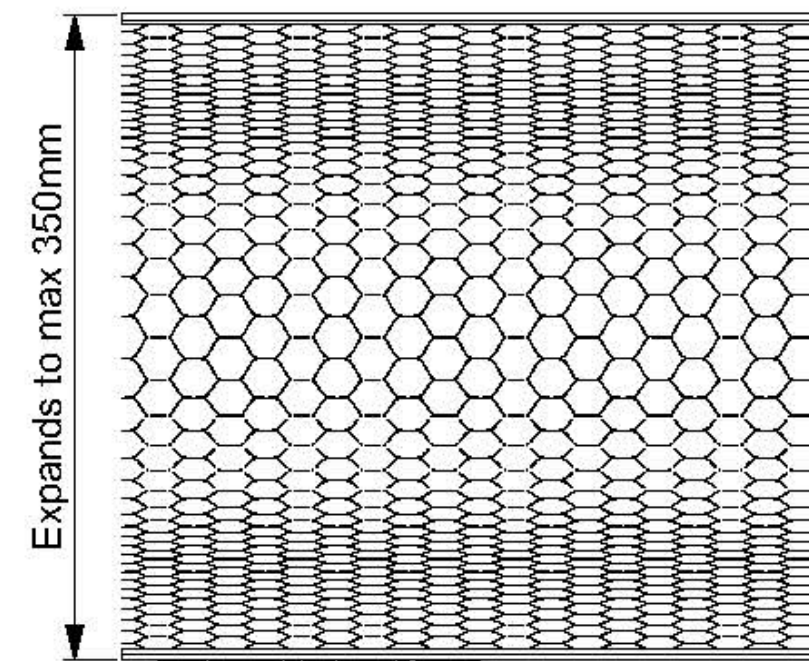
End view
(Section)



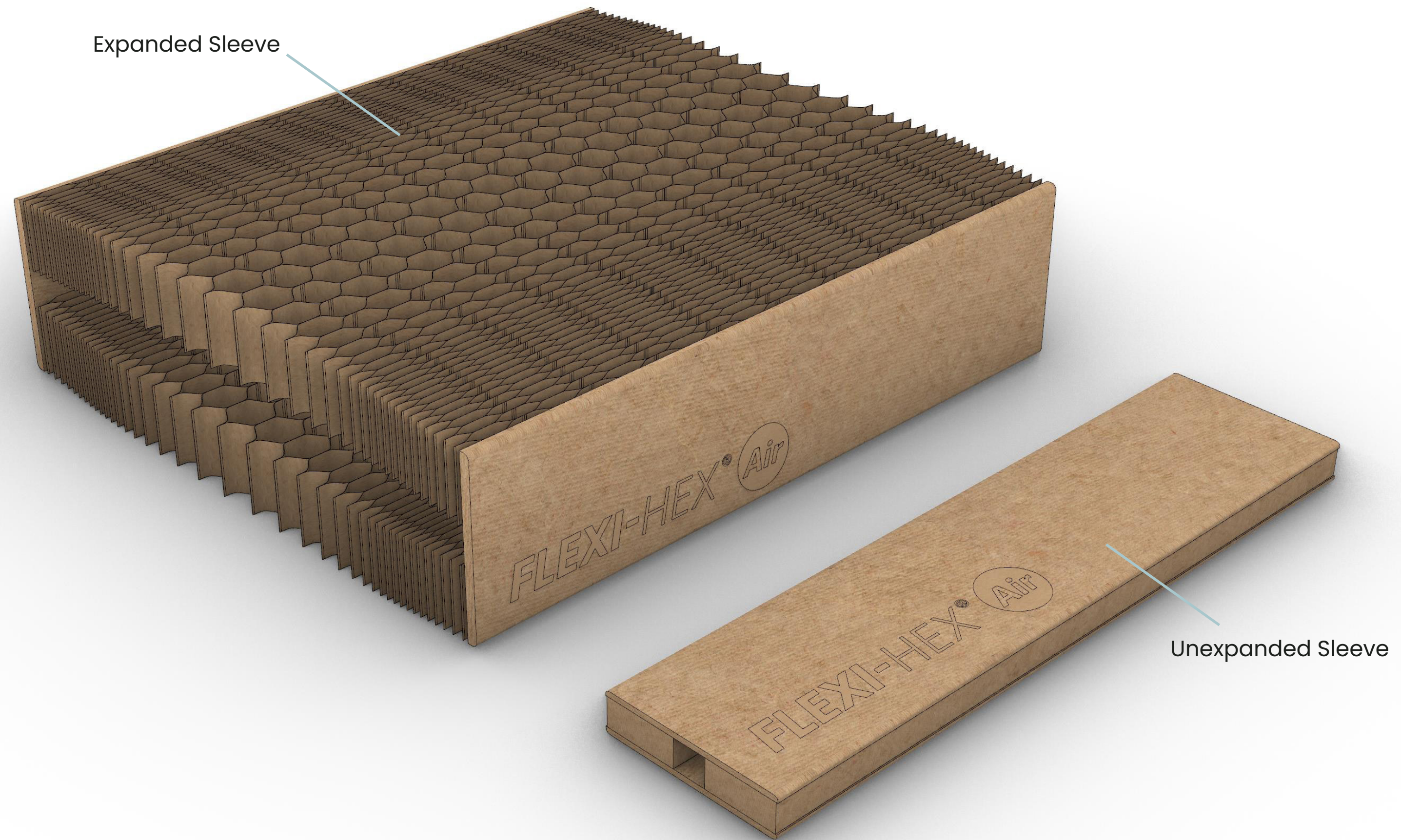
Side view



Cell detail



Expanded sleeve



DATA SHEET - FLEXI-HEX AIR 10CM

